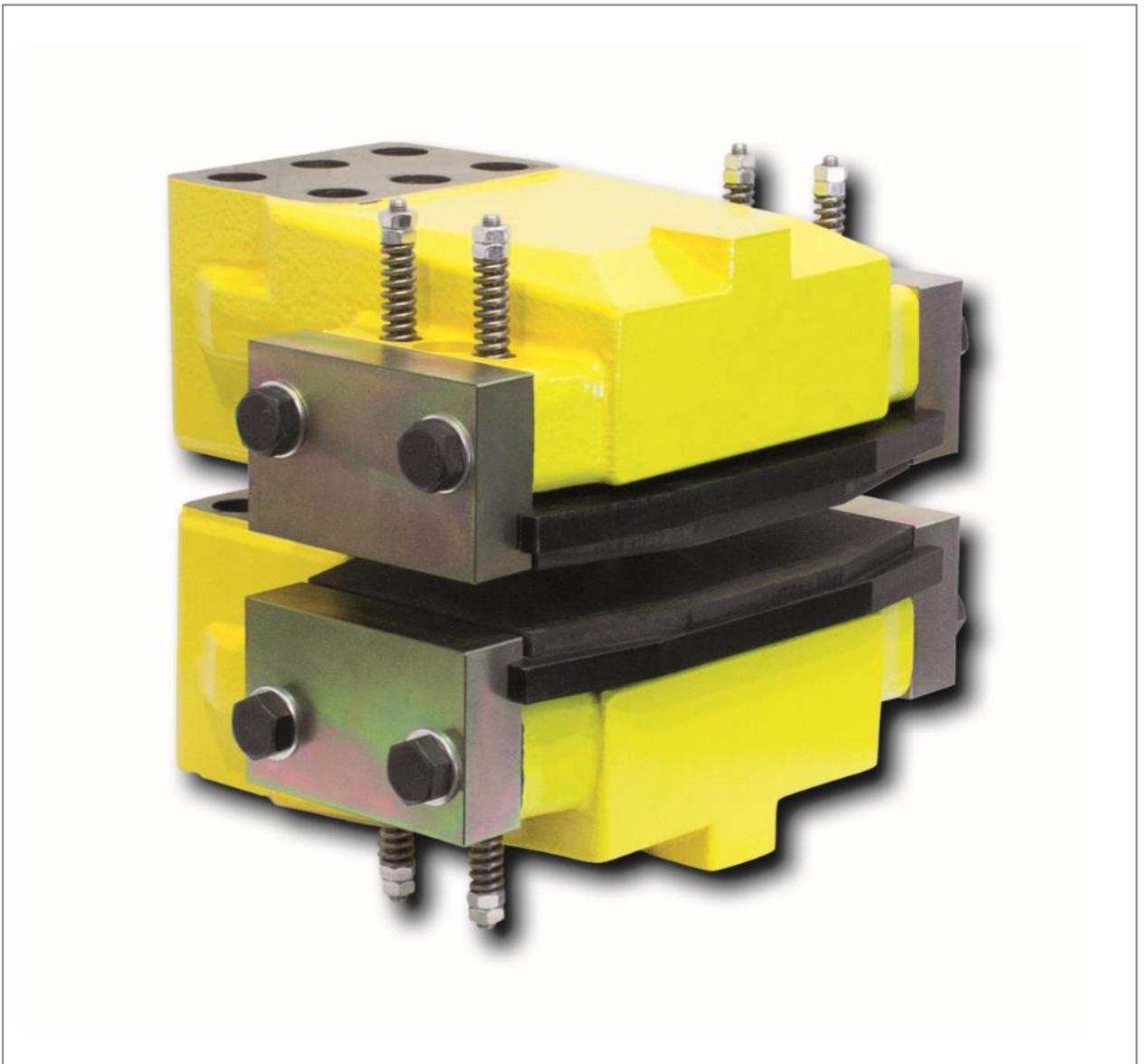


**Installation and operating instructions for
brake caliper HW 120 HFK**

E 09.790e



RINGSPANN GmbH

Schaberweg 30-38
61348 Bad Homburg
Germany

Telephone +49 6172 275-0
Fax +49 6172 275-275

www.ringspann.com
info@ringspann.com

RINGSPANN	Installation and Operating Instructions for Brake Caliper HW 120 HFK hydraulically operated - spring released	E 09.790e			
Issue: 26.01.2023	Version: 2	Drawn: BAHS	Checked: EISF	Pages: 21	Page: 2

Important

Please read these instructions carefully before installing and operating the product. Your particular attention is drawn to the notes on safety.

These installation and operating instructions are valid on condition that the product meets the selection criteria for its proper use. Selection and design of the product is not the subject of these installation and operating instructions.

Disregarding or misinterpreting these installation and operating instructions invalidates any product liability or guarantee by RINGSPANN; the same applies if the product is taken apart or changed.

These installation and operating instructions should be kept in a safe place and should accompany the product if it is passed on to others -either on its own or as part of a machine- to make it accessible to the user.

Safety Notice

- Installation and operation of this product should only be carried out by skilled personnel.
- Repairs may only be carried out by the manufacturer or accredited RINGSPANN agents.
- If a malfunction is indicated, the product or the machine into which it is installed, should be stopped immediately and either RINGSPANN or an accredited RINGSPANN agent should be informed.
- Switch off the power supply before commencing work on electrical components.
- Rotating machine elements must be protected by the purchaser to prevent accidental contact.
- Supplies abroad are subject to the safety laws prevailing in those countries.

This is a translation of the German original version!

In case of inconsistencies between the German and English version of this installation and operating instruction, the German version shall prevail.

RINGSPANN	Installation and Operating Instructions for Brake Caliper HW 120 HFK hydraulically operated - spring released			E 09.790e	
Issue: 26.01.2023	Version: 2	Drawn: BAHS	Checked: EISF	Pages: 21	Page: 3

Contents

1. General notes

- 1.1 General safety instructions
- 1.2 Special safety instructions

2. Design and function/ parts list

- 2.1 Function
- 2.2 Identification
- 2.3 Drawing and parts list

3. Intended use

4. Impermissible use

5. Condition as delivered

6. Handling and storage

7. Technical prerequisite for reliable operation

8. Installing the RINGSPANN brake

- 8.1 General instructions regarding assembly and installation
- 8.2 Assembly description
- 8.3 Setting/ adjusting of the friction pad distance
- 8.4 Assembly of the screw connection and bleeding of the brake
- 8.5 Connecting the signal cable (option)

9. Start-up

10. Disassembling the brake

11. Maintenance

- 11.1 General maintenance
- 11.2 Permissible friction lining wear and exchanging of the friction pads
- 11.3 Exchanging seals, wipers and piston seals

12. Sensor for operating state monitoring (option)

- 12.1 Mounting and connection of inductive transmitter for position monitoring

RINGSPANN	Installation and Operating Instructions for Brake Caliper HW 120 HFK hydraulically operated - spring released			E 09.790e	
Issue: 26.01.2023	Version: 2	Drawn: BAHS	Checked: EISF	Pages: 21	Page: 4

1. General notes

1.1 General safety instructions

Read these installation/ operating instructions carefully before putting the brake caliper into operation. Consider these instructions as well as the drawings in the individual sections.

All work with and on the brake is to be carried out taking into account that "safety is top priority".

Switch the drive unit off before carrying out work on the brake.

Rotating parts (e.g. brake disc) must be secured by the operator against unintentional touching.

1.2 Special safety instructions



Life-threatening danger!

When assembling, operating and maintaining the brake it is to be ensured that the entire drive train is secured against being switched on unintentionally. Rotating parts can cause severe injury. Rotating parts (e.g. brake disc) must be secured by the operator against unintentional touching.

2. Design and function/ parts list

2.1 Function

The brake is a machine element with which accelerated masses can be safely slowed down. In combination with a brake disc, you have a complete brake for the effective safeguarding of machines and systems. Thanks to its universal design, it fulfils the following functions:

- As a holding brake, it prevents a stationary shaft from starting unintentionally.
- As a stopping brake, it brings a rotating shaft to a halt.
- As a control brake, it maintains a particular tensile force within the material.

The braking force is generated by hydraulic pressure, the brake caliper is opened by spring force.

The braking force is generated with hydraulic pressure. The brake release up to a residual pressure in the hydraulic system of < 0.3 bar.

RINGSPANN	Installation and Operating Instructions for Brake Caliper HW 120 HFK hydraulically operated - spring released			E 09.790e	
Issue: 26.01.2023	Version: 2	Drawn: BAHS	Checked: EISF	Pages: 21	Page: 5

2.2 Identification

These operating instructions apply for:

- The design HW 120 HFK.
- The mounting onto vertical brake discs (in case of horizontal shaft) as well as horizontal brake discs.
- The design with and without an inductive transmitter.
- Different friction materials as well as for friction pads with signal cable.

A type plate is located at the brake with a 16-digit article number. The precise design of the brake is only defined by this article number.

As well as these instructions, please also consider the catalogue data for the brake at www.RINGSPANN.com and the drawings in the individual sections.

2.3 Drawing and parts list

Brake caliper HW 120 HFK

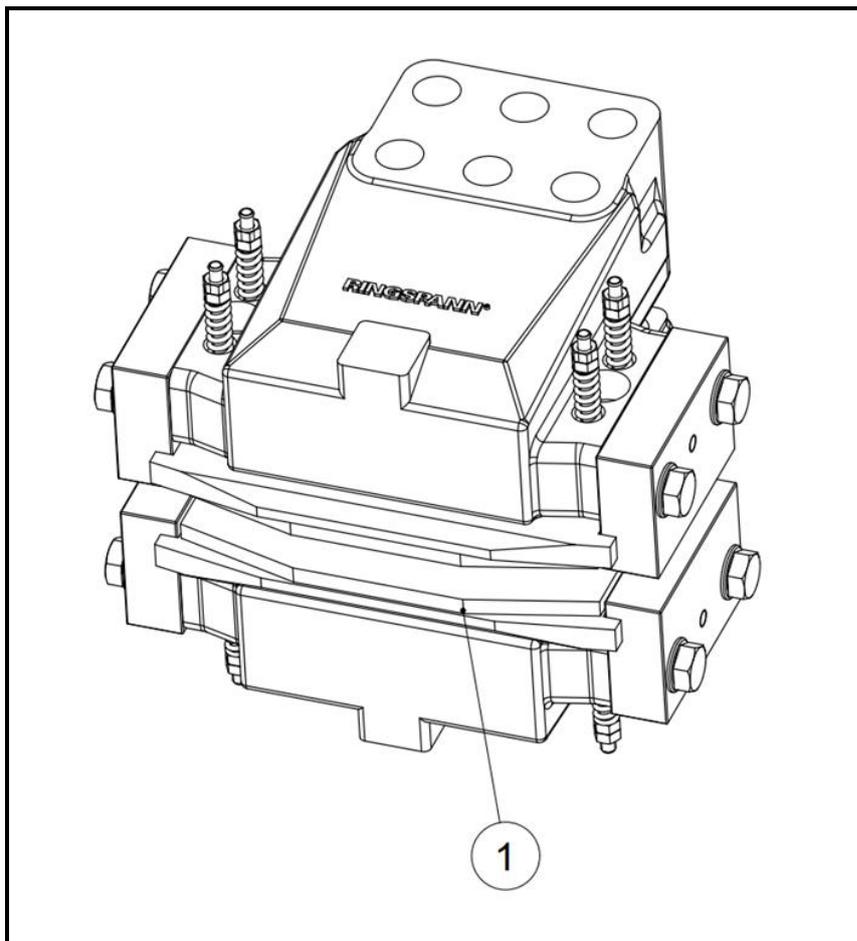


Fig. 2.1

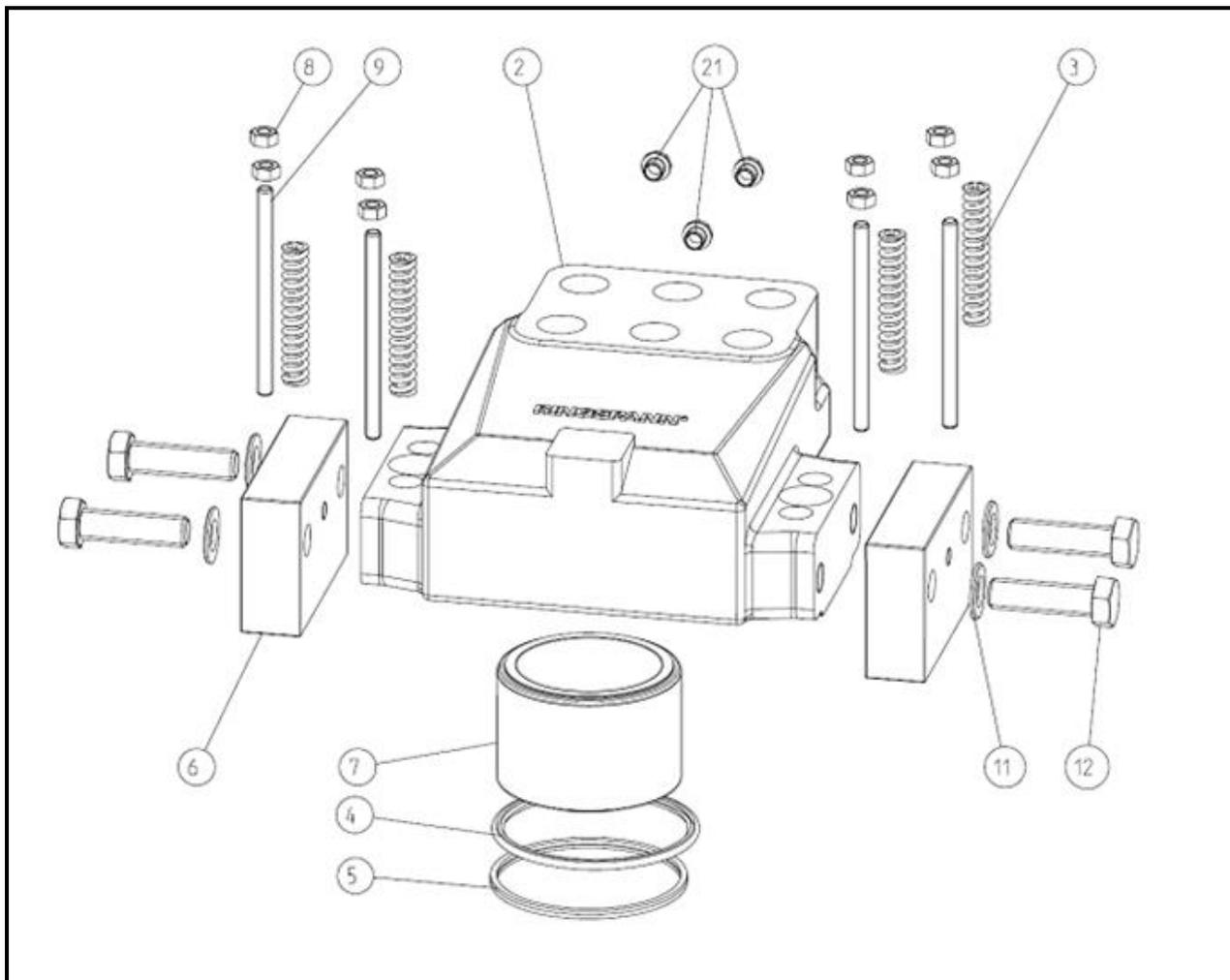


Fig. 2.2

Part	Designation	Quantity
1	Friction pad set HW(S) 120	1
2	Brake housing HW 120 FHM	2
3	Pressure spring SA 18	16
4	Turcon Stepseal 2K RSK301200	2
5	Turcon Excluder 2 WE3201200	2
6	Holding plate H120	4
7	Piston HW 120 FHM	2
8	Hexagon nut M10 DIN 34-8.8 galvanised	16
9	Threaded piece M10x145 A2	8
11	Disc B21 DIN 125-ST galvanised	8
12	Hexagon screw M20x70 DIN 931-10.9	8
21	Stopper plug R 1/4" KAPSTO GPN 700	6

RINGSPANN	Installation and Operating Instructions for Brake Caliper HW 120 HFK hydraulically operated - spring released			E 09.790e	
Issue: 26.01.2023	Version: 2	Drawn: BAHS	Checked: EISF	Pages: 21	Page: 7

3. Intended use

The brake caliper may only be used with a maximum hydraulic pressure of 125 bar and in accordance with the technical data.

The brake has been designed for use as a holding, control and stopping brake. Use for any other purpose will be deemed improper. RINGSPANN shall not be liable for any damage caused by improper use; the risk shall be borne by the user alone.

4. Impermissible use

It is not permissible to operate the brake with a higher pressure than given in the technical data or with other media. Unauthorised constructional changes to the brake are also not allowed. RINGSPANN shall not be liable for any damage caused by improper use; the risk shall be borne by the user alone.

5. Condition as delivered

The brake caliper is supplied tested. The test pressure is 160 bar. The brake caliper is delivered ready to install.

6. Handling and storage

The technical data of the brake such as hydraulic pressure, clamping force, oil volume, dimensions and weight are shown on the catalogue pages for the brake. The current data can also be found on the RINGSPANN website www.ringspann.com.

For the transport and handling 3x M12 threads are attached to the brake.

The brake is delivered in preserved condition and can be stored for 12 months in an enclosed and dry place. It is to be made sure that no condensation develops. Damp storage rooms are not suitable. If storing the brake for a period longer than 12 months, as well as after any transport, the brake must be activated once in order to prevent the seals and wipers from getting stuck down.

7. Technical prerequisite for reliable operation

Fastening the brake to stable and low-vibration machine parts will ensure quiet braking without creaking.

8. Installing the RINGSPANN brake

8.1 General instructions regarding assembly and installation

Before installing the brake, the brake disc must be cleaned with alcohol (e.g. spirit (ethanol) or isopropyl alcohol) or with water-based tenside solutions (soapy water or the like).

If cleaning the brake disc with a diluent, acetone or brake cleaning agent, it must be ensured that these agents and no residues of these agents come into direct contact with the friction pads. This must be ensured for pure holding brakes in particular, since no dynamic braking takes place that would remove any diluent residues from the brake disc.

RINGSPANN	Installation and Operating Instructions for Brake Caliper HW 120 HFK hydraulically operated - spring released			E 09.790e	
Issue: 26.01.2023	Version: 2	Drawn: BAHS	Checked: EISF	Pages: 21	Page: 8



Important!

Residues from oil and anti-rust agent considerably reduce the coefficient of friction and thus also the braking and holding torque!

8.2 Assembly description

The standard brake calliper is fastened to the machine part with 6 screws M30-8.8 tightening torque 1428 Nm. Tightening torque calculated with $\mu_G = 0.12$ as the average coefficient of friction in the thread and $\mu_K = 0.12$ as the coefficient of friction in the head support according to VDI 2230 Page 1 of Feb. 2003.

(The screws are not included in the delivery).



Important!

Hydraulic pressure must not be applied to the brake caliper during assembly.

Before assembly it is to be checked whether the the customer connection part is even and the concentricity between the brake disc and mounting surface is within a tolerance of 0.3 mm.

Examine the axial movement of the brake disc. The axial movement must not be greater than ± 0.3 mm.

The maximum permissible axial run-out of the brake disc is 0.1 mm; a greater axial run-out can lead to the brake unit rattling and shaking.

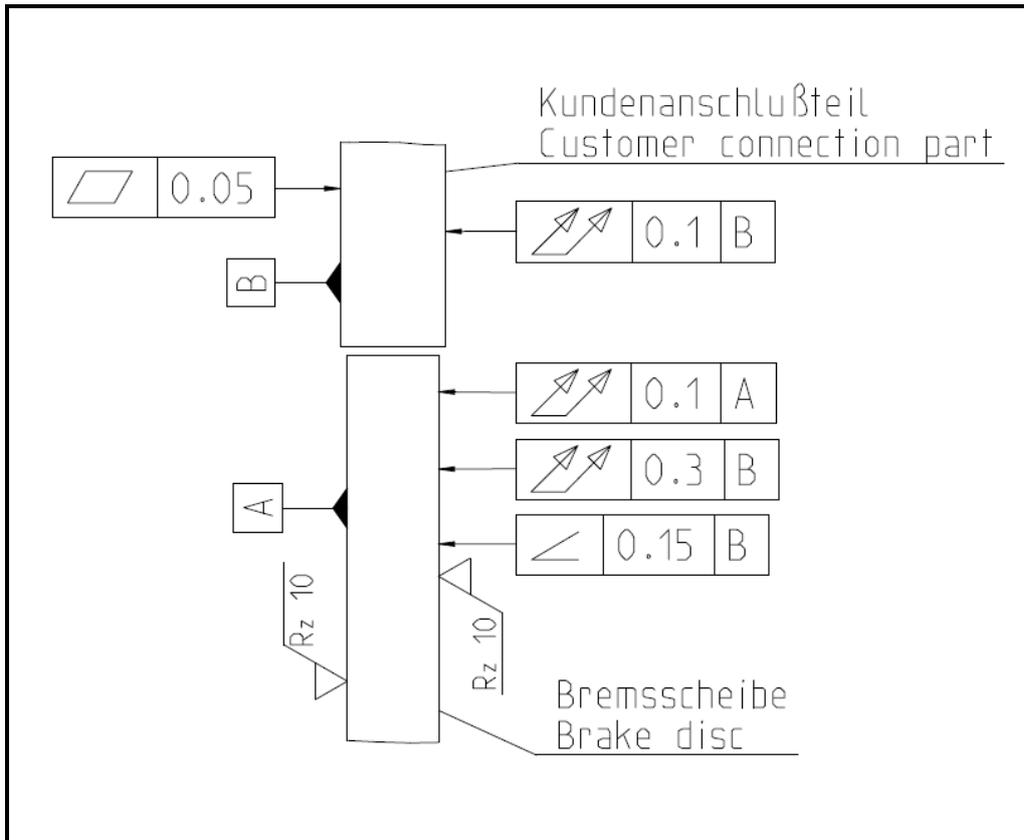


Fig. 8.1

The customer connection part for the brake as well as the brake disc must be checked for dimensional accuracy. For this purpose, the connection dimensions shown on the catalogue data sheet or installation drawing are to be checked.



Important!

Check whether the brake disc can be freely rotated.

RINGSPANN	Installation and Operating Instructions for Brake Caliper HW 120 HFK hydraulically operated - spring released			E 09.790e	
Issue: 26.01.2023	Version: 2	Drawn: BAHS	Checked: EISF	Pages: 21	Page: 10

8.3 Setting/adjusting of the friction pad distance

The distance from both sides of the friction pads to the brake disc should be approx. 1.5 mm when new.



Important!

During assembly it is to be ensured that the brake friction pads are centrally aligned and make full-face contact with the brake disc.
The distance from both sides of the brake linings to the brake disc should be approx. 1.5 mm when new.

So that there is enough space for changing a friction pad, there should be at least 300 mm of free space on one side of the brake, in order for the friction pad to be easily disassembled and assembled.



Important!

The friction pad distance must be checked after initial assembly and after exchanging brake linings or individual parts.

8.4 Assembly of the screw connection and bleeding of the brake



Important!

Flexible hydraulic hoses are to be used for the pressure line and leakage oil line connection so as to not inhibit the movements of the brake. The connection of the pressure oil lines to the brake caliper halves must be symmetrical to ensure that both brake pistons extend simultaneously.

The connection is made at one of the two pressure oil connections; the second borehole serves as a bleeder hole. Attach the leakage oil line (if available) or use a collection container for each brake caliper in order to be able to locate an oil leakage easily.



Caution!

The hydraulic actuation of the brake caliper must be carried out in such a way that both caliper halves are actuated simultaneously with the same pressure. Delayed actuation between the caliper halves can lead to brake malfunctions or to impermissible shocks and vibrations in the system.

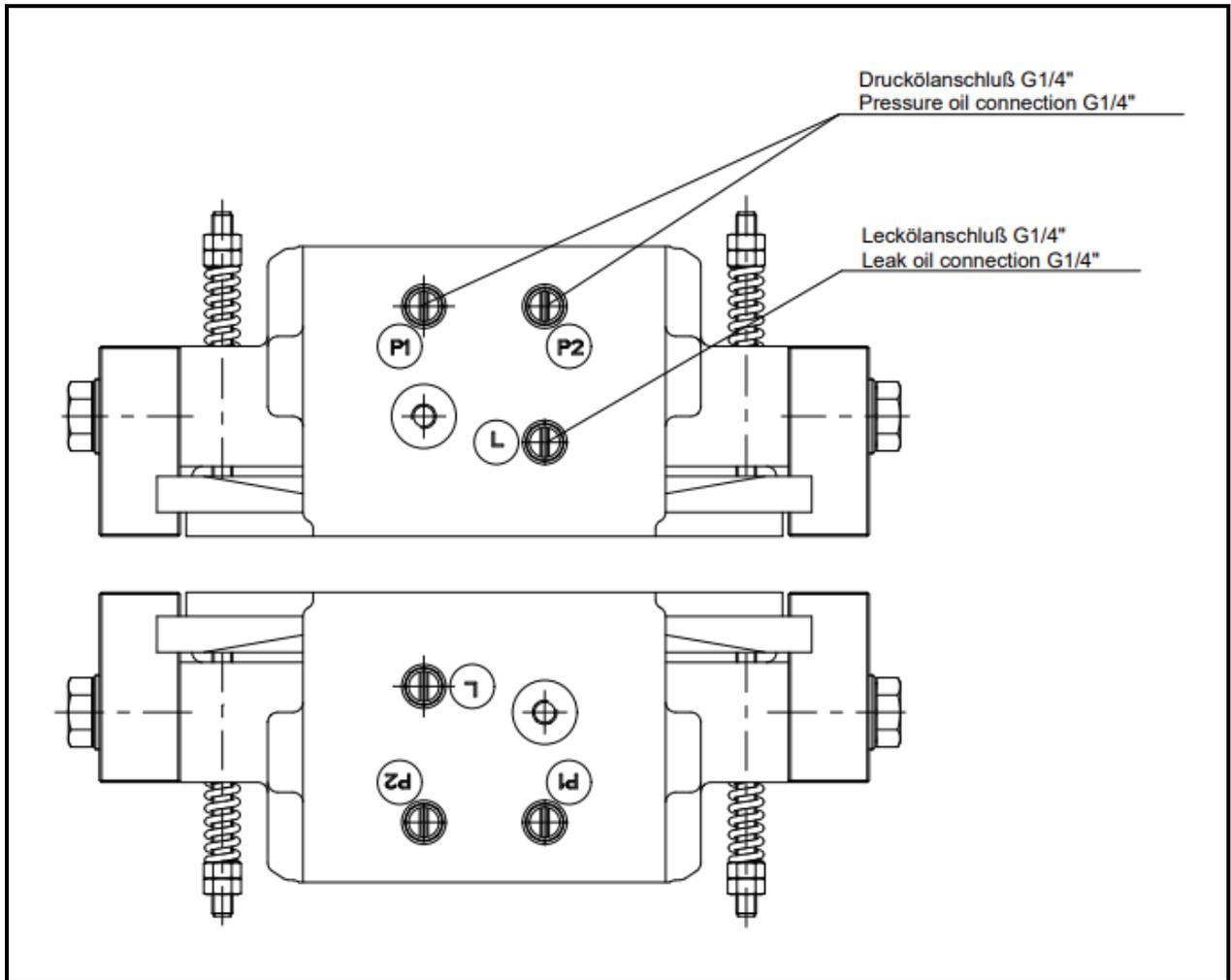


Fig. 8.2



Important!

It must be ensured that the friction pads do not grind on the brake disc while the brake caliper is released.

Assemble a mini measuring connection or an automatic bleeding system at the bleeder hole. The screwed sealing plug is to be removed beforehand for this purpose.

If carrying out initial assembly, exchanging the seals or performing other work on the hydraulics, the hydraulic system must be bled.

If the system is designed for hydraulic oil circulation, the hydraulic system can alternatively be bled through circulating hydraulic oil.

**Important!**

Any oil that has escaped must be completely removed. Leakages are to be eliminated immediately.

The following are to be checked to ensure firm screwing and connection:

- Brake caliper at the machine part

The following are to be inspected for tightness:

- Screwings and connections

**Important!**

The brake caliper has two pressure oil connections marked with P1 and P2 size G ¼ (Whitworth pipe thread DIN ISO 228-1) and a leakage oil connection marked with L size G ¼ (Whitworth pipe thread DIN ISO 228-1). The hydraulic system must never be operated with a higher pressure than permitted. The maximum operating pressure is 125 bar.

Oil volume: Per 1 mm of piston stroke = 11.3 cm³
Max. oil volume (at max. friction lining wear) = 214 cm³.

Alloyed mineral oil of HLP group in accordance with DIN 51525 or in accordance with API classification SC, SD, SE can be used as hydraulic fluid.

**Information!**

The service life of the brake system will extend depending on how high the purity of the oil is.

8.5 Connecting the signal cable (option)

Connect the signal cable via a signal lamp to a 24V power source. If the maximum permissible brake pad wear limit is reached, contact to the neutral conductor is effected and the signal light goes on. As an option, RINGSPANN offers a wear indicator as friction pad wear monitoring for the brakes, which signals when the friction pad wear limit is reached. The indicator lamp in the wear indicator shows that the friction blocks need to be changed. In addition, the output relay can be used to trigger a signal in the machine control system.

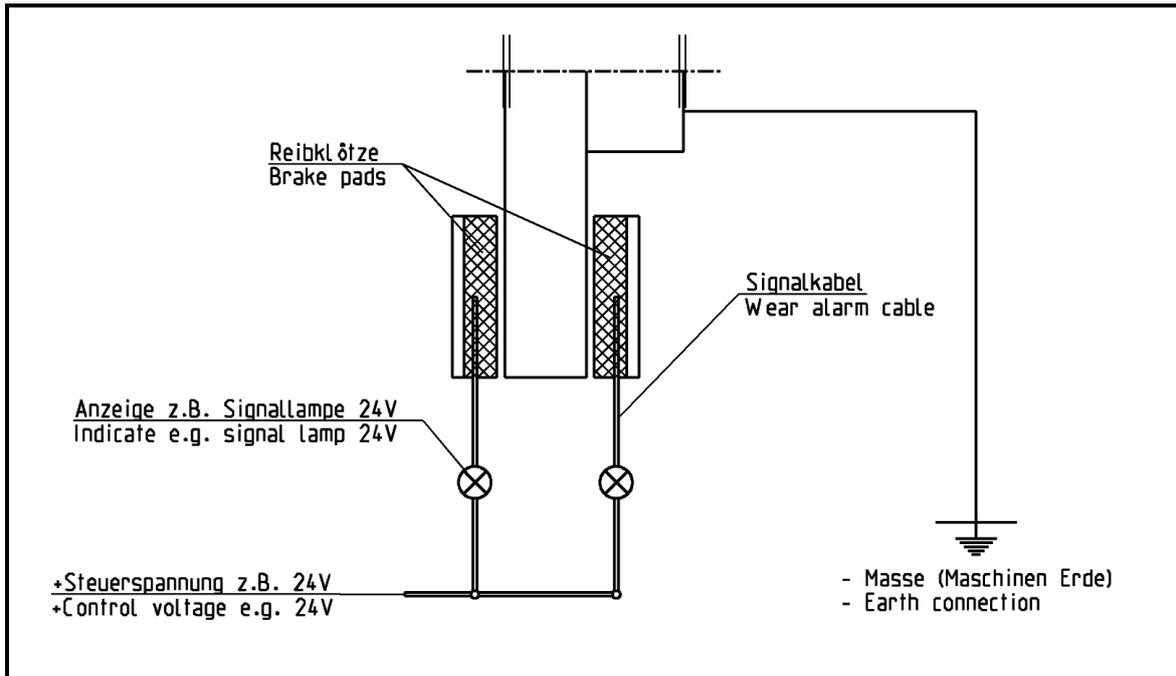


Fig. 8.3

9. Start-up

Only full-face contact of the two friction pads (item 1) on the brake disc as well as a rapid heating of the friction linings to approx. 200°C will ensure an optimal braking effect. It is therefore necessary to brake several times and for a short duration when the brake disc is rotating.



Important!

If the brakes are used as holding brakes, then the braking torques indicated in the catalogue will not be reached. Reductions of up to 50% of the braking torque are possible.

RINGSPANN	Installation and Operating Instructions for Brake Caliper HW 120 HFK hydraulically operated - spring released			E 09.790e	
Issue: 26.01.2023	Version: 2	Drawn: BAHS	Checked: EISF	Pages: 21	Page: 14



Important!

If breaking-in is not possible, the braking torques specified in our leaflet (46) will not be reached. Reductions of up to 50% are possible.

10. Disassembling the brake



Life-threatening danger!

When disassembling the brake it is to be ensured that the entire drive train is secured against being switched on unintentionally. Rotating parts can cause severe injury. Rotating parts (e.g. brake disc) must be secured by the operator against unintentional touching.



Important!

Ensure that there is no oil pressure at the brake caliper.

Drain the hydraulic oil completely.



Important!

Secure the brake for disassembly.

Separate the hydraulic lines from the brake caliper. Secure the brake for disassembly. Remove the M30 screws that serve for fastening the brake. The brake can now be removed from the mounting surfaces.

11. Maintenance

11.1 General maintenance

Depending on how much the brake is used in operation, maintenance is to be carried out on it at intervals of 4 weeks to once a year.

The following is to be carried out when performing maintenance:

- Check the friction blocks for wear.
- Check that, when the brake caliper is released, the friction pads do not grind on the brake disc and that there is an even air gap on both sides.
- Check the screw connection of the brake to the machine part and also check the firmness of the screw connection of the holding plates.
- Check the hydraulic lines and connections for tightness.

RINGSPANN	Installation and Operating Instructions for Brake Caliper HW 120 HFK hydraulically operated - spring released			E 09.790e	
Issue: 26.01.2023	Version: 2	Drawn: BAHS	Checked: EISF	Pages: 21	Page: 15

- Check the sealing system of the brake pistons for tightness by inspecting the leakage oil lines. If there is oil in the leakage oil line, the seals are to be exchanged.
- Respect the oil changing interval! Renew the mineral oil after 8000 hours of operation or once a year.



Important!

The friction pads must not come into contact with the lubricant.



Important!

The friction pads must not come into contact with the hydraulic oil.

11.2 Permissible friction lining wear and exchanging of the friction pads



Life-threatening danger!

Friction pads may only be changed when the system or the work machine is stationary!



Important!

The friction lining has a thickness of 30 mm when new. After 8 mm of abrasion or a residual lining thickness of 22 mm, the friction pads are to always be exchanged in pairs.

Only original RINGSPANN friction pads may be used.

Before exchanging the friction pads (item 1), ensure that the mass held by the brake is secured against moving, since parts of the brake need to be loosened for this purpose.



Important!

Ensure that there is no oil pressure at the brake caliper before exchanging the friction pads.

Make sure that there is no hydraulic pressure on the brake caliper before exchanging the friction pads and disassemble one of the two holding plates in each case (item 6, Fig. 2.2) on one side.

RINGSPANN	Installation and Operating Instructions for Brake Caliper HW 120 HFK hydraulically operated - spring released			E 09.790e	
Issue: 26.01.2023	Version: 2	Drawn: BAHS	Checked: EISF	Pages: 21	Page: 16

Loosen the hexagon nuts M10 (item 8) and remove the 4 threaded pieces M10x145 (item 9) with the pressure springs (item 3) also on the other side. Please note that the pressure springs are under light pre-load.



Important!

Please note that the pressure springs are under light pre-load.

Exchange the friction pads (item 1)

Refasten the friction pad with the 4 threaded pieces M10x145 (item 9), the 4 pressure springs (item 3) and the 8 hexagon nuts M10 (item 8). The pressure springs must be pre-loaded by approx. 8 mm and then locked with the hexagon nuts M10 (item 8). The threaded pieces are to be secured with Loctite 243 and are to be tightened with a maximum tightening torque of 10 Nm.

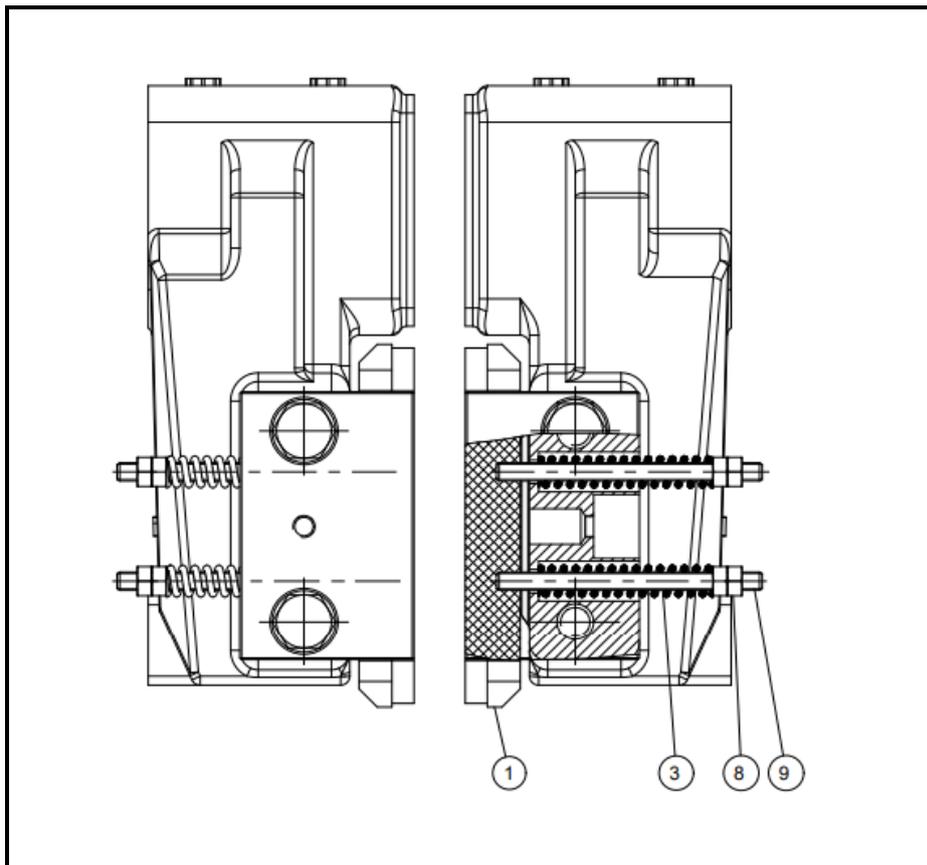


Fig. 11.1

**Important!**

The thread in the friction pad is a blind hole thread of approx. 10 mm in depth. A tightening torque higher than 10 Nm can destroy the thread!
The screws are to be secured with Loctite 243.

Ensure there is a sufficient pre-load force. The pressure springs (item 3) must be sufficiently pre-loaded in order for the friction pad inside the brake caliper in depressurised state to be brought back.

Refasten the holding plates (item 6) to the brake housing. The fastening torque for the screws M20x70 (item 12) is 592 Nm. Tightening torque calculated with $\mu_G = 0.12$ as the average coefficient of friction in the thread and $\mu_K = 0.12$ as the coefficient of friction in the head support according to VDI 2230 Page 1 of Feb. 2003.

After the friction pads have been changed, point 8.3 (setting/ adjusting friction pad) must be repeated.

**Important!**

After the friction pads have been changed, point 8.3 (setting/adjusting friction pad) must be repeated.

**Important!**

After exchanging friction pads, a running-in process should be performed in order to reach the maximum brake torque.

11.3 Exchanging seals, wipers and piston seals

**Life-threatening danger!**

The seals may only be changed when the system (or the work machine) is stationary!

RINGSPANN	Installation and Operating Instructions for Brake Caliper HW 120 HFK hydraulically operated - spring released			E 09.790e	
Issue: 26.01.2023	Version: 2	Drawn: BAHS	Checked: EISF	Pages: 21	Page: 18



Important!

Ensure that there is no oil pressure at the brake caliper.
Note the manufacturer's instructions for handling solvents.

The greatest possible cleanliness is to be ensured when working on the hydraulic system. Each part must be cleaned in solvent, dried and stored in a dust-proof place. Dirt shortens the service life of the seals considerably. Check the surfaces of the brake housings and brake pistons. Damages on the surface can destroy the seal immediately.

Disassemble the upper half of the brake caliper by loosening the 6 screws M30.

- Disassemble the half of the brake caliper. Loosen the hexagon nuts M10 (item 8) and remove the pressure springs and the friction pad. Close up one pressure oil connection on the brake caliper half and attach a hydraulic hand pump onto the second pressure oil connection. Hold the brake housing (item 2) tight or clamp it. Squeeze the brake pistons (item 7) out using the hand pump. Make sure that the brake piston is squeezed evenly out of the brake housing (item 2).
- Remove the Turcon Excluder 2 (item 5) and then the Turcon Stepseal 2K (item 4) from the brake housing (item 2). Insert the new seal into the brake housing. In doing so, ensure the correct fitting position of the seal (see Fig. 11.3). This should only be carried out by hand, so that the sealing edge is not damaged. To make fitting easier, the seal can be bent into a kidney shape and placed into the groove. Slightly oil the seal. Push the piston in with a press or, using a plastic hammer, hit it centrally into the cylinder borehole until it comes to a stop.

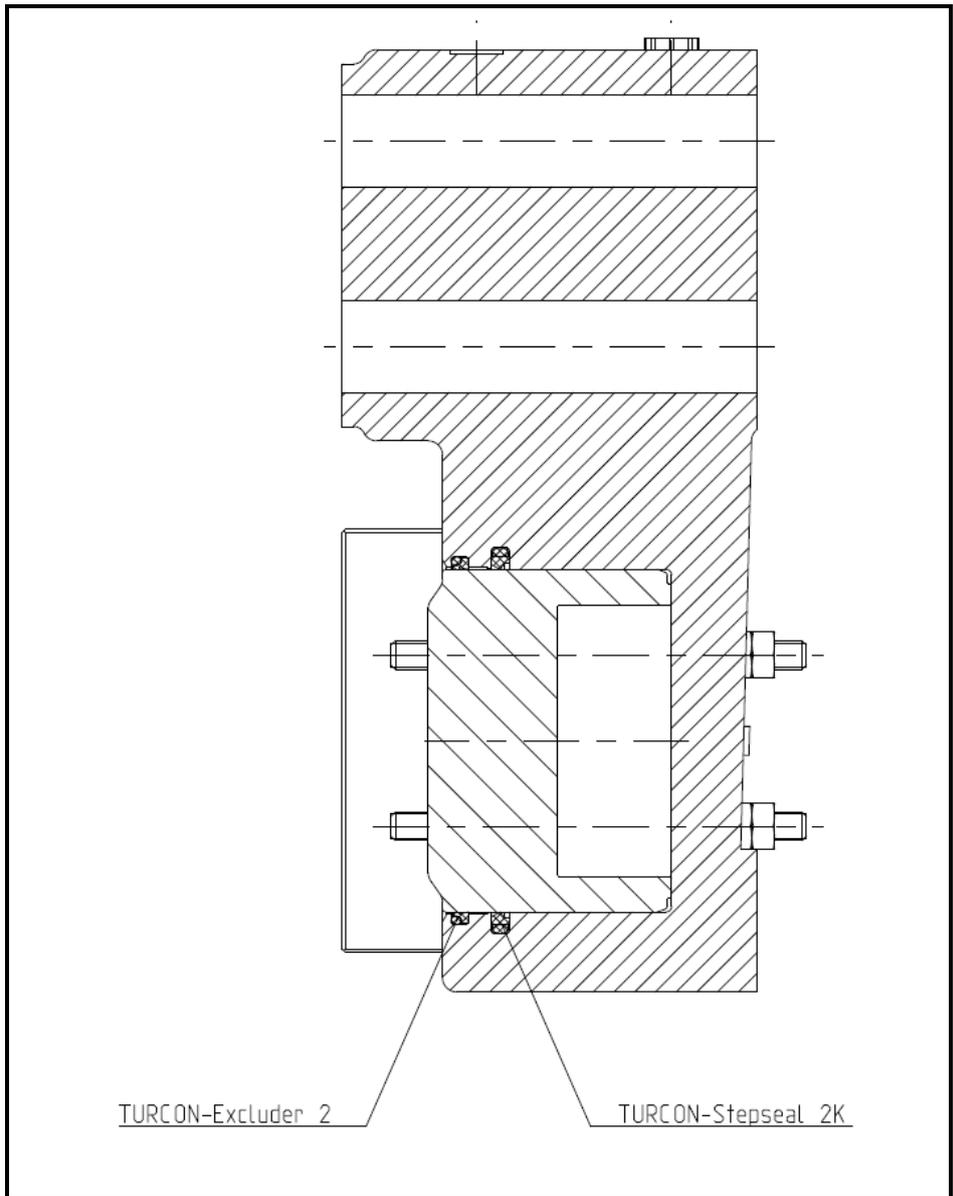


Fig. 11.2

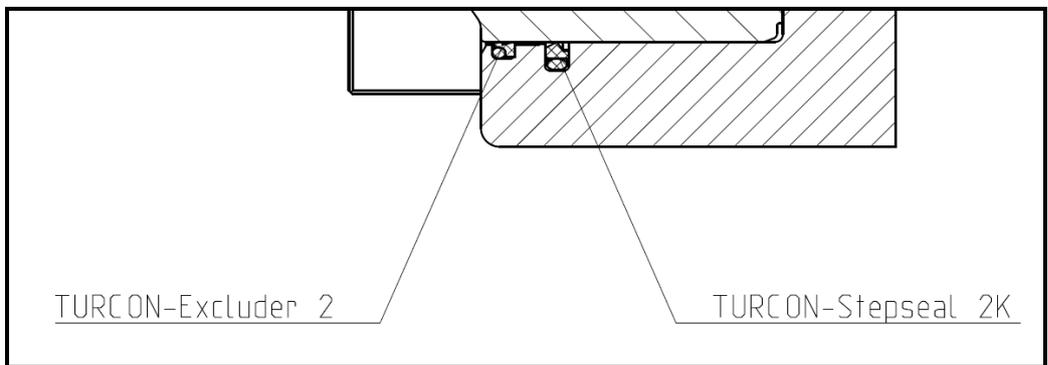


Fig. 11.3



Life-threatening danger!

The seals may only be changed when the system (or the work machine) is stationary!



Important!

Ensure that there is no hydraulic pressure at the brake caliper.
Note the manufacturer's instructions for handling solvents.

Then assemble the friction pad (item 1), taking point 8.3 into account. After this has been done, refasten the brake calliper onto the brake calliper with the 6 screws M30-8.8, tightening torque 1428 Nm. Tightening torque calculated with $\mu_G = 0.12$ as the average coefficient of friction in the thread and $\mu_K = 0.12$ as the coefficient of friction in the head support according to VDI 2230 Page 1 of Feb. 2003.

12. Accessories: Sensor for operating state monitoring

12.1 Mounting and connection of inductive transmitter for position monitoring



Life-threatening danger!

The inductive transmitter may only be assembled and changed when the system or the work machine is stationary!

The inductive transmitter M12x1, length 65 mm, with a high-grade steel housing, is enclosed loosely with the supply.

At the brake housing, two threaded bores M12x1 are envisaged on each brake caliper half for the assembly of the proximity switch for the position monitoring brake released.

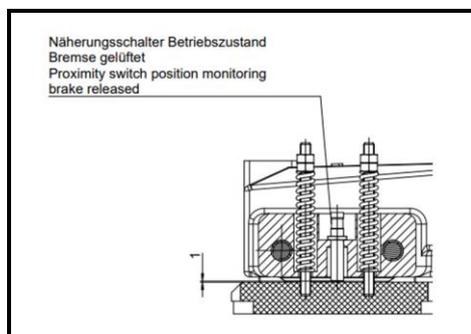


Fig. 12.1

RINGSPANN	Installation and Operating Instructions for Brake Caliper HW 120 HFK hydraulically operated - spring released			E 09.790e	
Issue: 26.01.2023	Version: 2	Drawn: BAHS	Checked: EISF	Pages: 21	Page: 21

Switching function:	PNP (normally open contact)	Switching distance:	2 mm flush
Operating voltage:	10...30 V DC	Operating current:	0...200 mA
Idle current:	< or = 17 mA	Residual current:	< or = 0.5 mA
Voltage drop:	< or = 3 V	Short-circuit protection:	Synchronising
Reverse polarity protection:	Yes	Switching display:	Multi-hole LED
Temp. range:	-25 to +70°C	Type of protection:	IP 67
Connection type:	V1 appliance plug	Housing:	Stainless steel

Connection diagram of the inductive transmitter

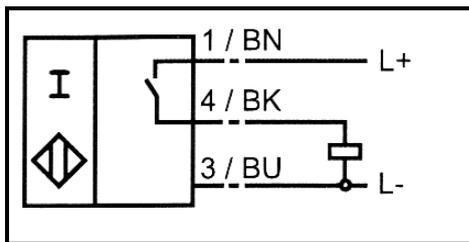


Fig. 12.2



Information!

The inductive transmitter is to be arranged in such a way that it is activated in pressurised state (the LED at the inductive transmitter shines). If the brake is activated, the piston moves out of the housing and pushes the friction pad onto the brake disc. The inductive transmitter is then no longer activated. The LED at the inductive transmitter goes out.

Work sequence for mounting, or in the case that exchanging the inductive transmitter is necessary with a switching gap of 2 mm:

- Assemble the inductive transmitter when the brake is pressurised.
- Screw the inductive transmitter into the brake housing until there is a distance of approx. 1 mm between the inductive transmitter and the back of the friction pad.
- Secure this position with the counter nut.
- Attach the inductive transmitter. The LED of the inductive transmitter should shine.
- Test for proper functioning by repeatedly activating the brake.



Important!

Follow the exact work steps described, since otherwise the inductive transmitter could get damaged.